

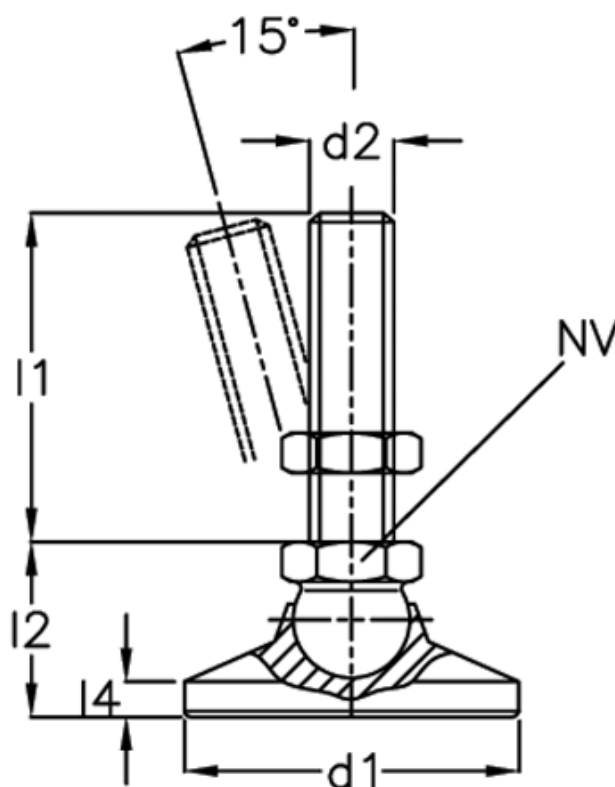
# Data Sheet



Article number: 20343625M850KR

Description: E+G levelling foot  
GN 343.6-25-M8-50-KR

## Measures



A/F	= 12
d1	= 25
d2	= 8
l1	= 50
l2	= -
l4	= -
Static load (N)	= 10
Weight in (g)	= 50